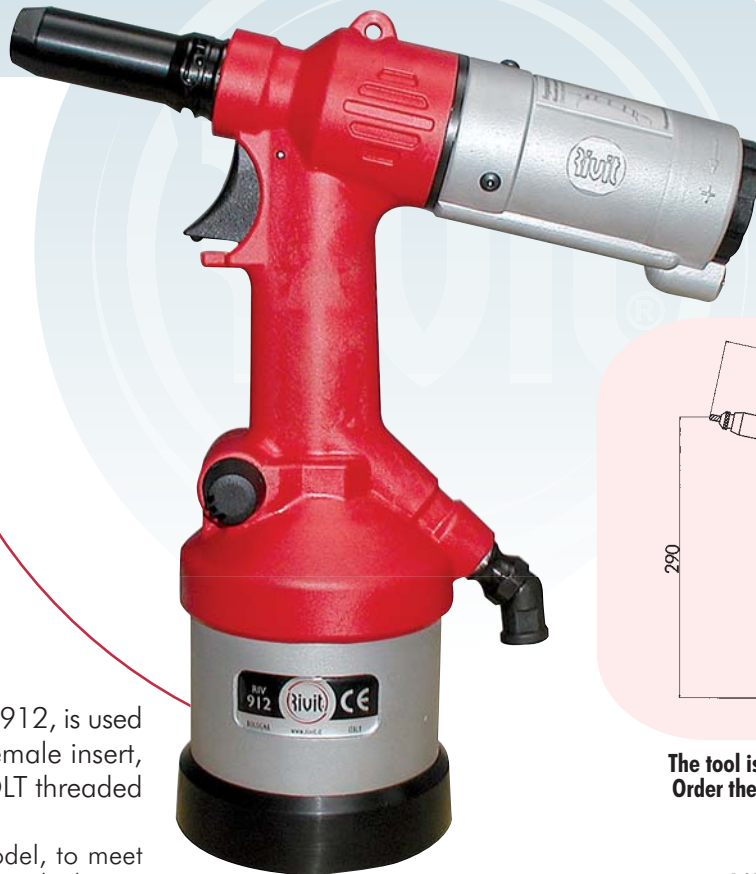


# RIV 912 Hydropneumatic Tool for Inserts from M3 to M12



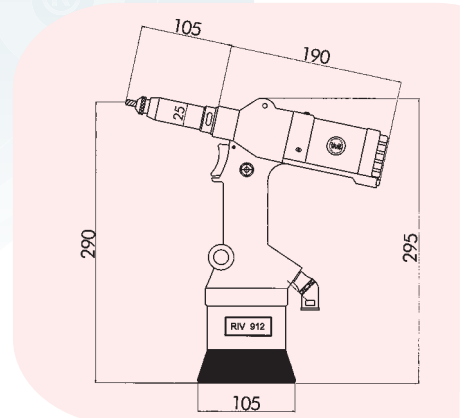
**new**

**Cod. 34409**

## Operating System.

The hydropneumatic tool, RIV 912, is used to place RIVSERT threaded female insert, from M3 to M12, and RIVBOLT threaded male insert, from M4 to M8.

- ▶ Rivit has designed this new model, to meet the requirement of the market, which was asking for a tool with a one-position trigger mechanism. In the new RIV 912 one pull is enough to start the automatic stroke. this innovative technical device makes your work quicker and easier, and surely less tiring.
- ▶ Handle casing has been replaced with a plastic one, while both piston and cylinder are made of aluminium, giving as result a more lighten and handy tool.
- ▶ Finally, in order to avoid the use of a special rod, a system has been projected to lodge an allen screw (hardness class 12.9), easy to find on the market and to replace.



The tool is sold without the front head kit. Order the proper kit separately, according to the fasteners to be placed (see below).



On request:  
Extended sleeve  
**code 34466**  
Internal extension  
**code 34469**



## Spare parts for Rivsert

insert	Kit	kit Code	screw Code DIN 912 12.9
M3	912/03	34411	34576
M4	912/04	34412	34705
M5	912/05	34413	34719
M6	912/06	34414	34723
M8	912/08	34415	34728
M10	912/10	34416	34731
M12	912/12	34417	34733

The tie rod/kit is made of an allen screw, very easy to change.  
Screw 12.9 can be ordered separately.

## Technical data and features

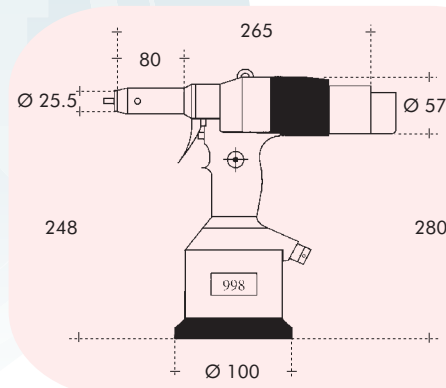
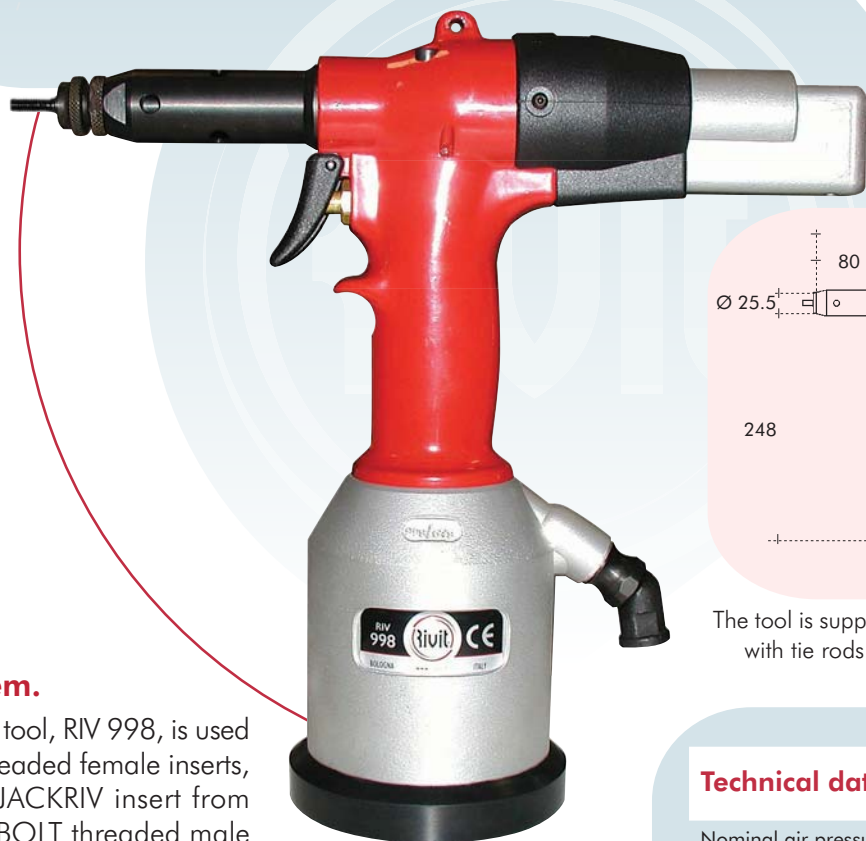
Nominal air pressure	<b>6 bar</b>
Min-max air pressure	<b>5/7 bar</b>
Air consumption per cycle (6 bar)	<b>7.5 lt</b>
Stroke	<b>1/6.5 mm</b>
Max power	<b>6 bar/2500 kg</b>
Weight	<b>2.3 kg</b>
Vibrations	<b>&lt; 2,5 m/s<sup>2</sup></b>
Loudness	<b>&lt; 80 dB (A)</b>



## Spare parts for Rivbolt

insert	tie rod code	head code	hexagonal insert code
M4	34419	34423	
M5	34420	34424	34418
M6	34421	34425	
M8	34422	34426	

# RIV 998 Hydropneumatic Tool for Inserts from M3 to M12



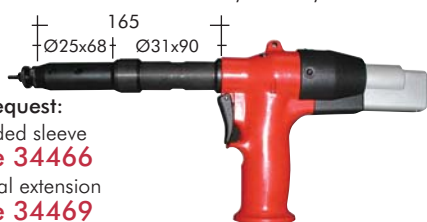
The tool is supplied in a plastic box complete with tie rods and heads from M3 to M10 (M12 on request)

**Code 22370**

## Operating System.

The hydropneumatic tool, RIV 998, is used to place RIVSERT threaded female inserts, from M3 to M12, JACKRIV insert from M4 to M8, and RIVBOLT threaded male inserts, from M4 to M8.

The hydropneumatic system and the mechanical components used in the inside structure of the tool, when compared with other models, result to be much more reliable. A tool feature is a reduction of the problems caused by the wear and tear of the components, and, consequently the tool will last much longer and work better. The technical solutions adopted reduce the dimensions and the weight of the RIV 998, which results to be a very handy tool.



On request:  
Extended sleeve  
**code 34466**  
Internal extension  
**code 34469**



## Spare parts for Rivsert

insert	tie rod	head
	code	code
M3	03278	03285
M4	03279	03286
M5	03280	03287
M6	03281	03288
M8	03282	03289
M10	03283	03290
M12*	03284	03291

## Technical data and features

Nominal air pressure	6 bar
Min-max air pressure	5/7 bar
Air consumption per cycle (6 bar)	7.5 lt
Stroke	0/6.5 mm
Max power	6 bar/2050 kg
Weight	2.4 kg
Vibrations	< 2,5 m/s <sup>2</sup>
Loudness	< 80 dB (A)



## Spare parts for Jackriv

insert	tie rod	head
	code	code
M4	30903	03286
M5	30911	03287
M6	30913	03288
M8	32439	03289



## Spare parts for Rivbolt

insert	tie rod	head
	code	code
M4	25609	25612
M5	25610	25613
M6	25611	25614
M8	25832	27005

\* Not included in the standard supply.  
To be ordered separately.

# RIV 902 Angular Hand Tool for M5 to M8 Inserts



**Code 32551**

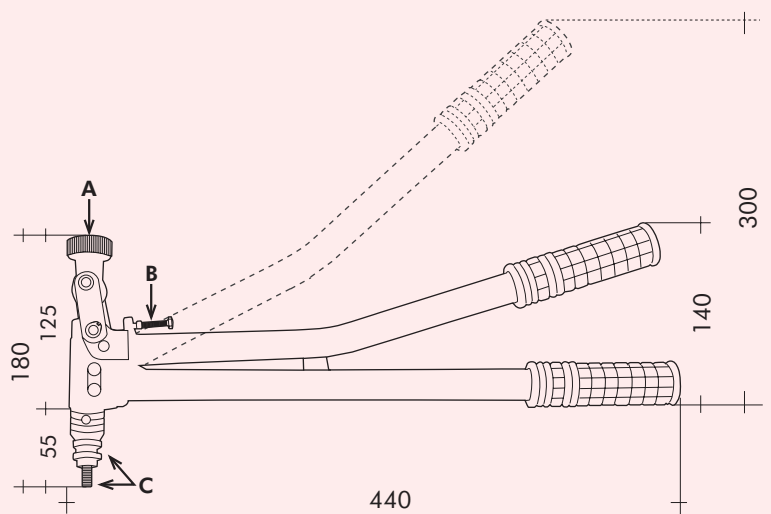
## Operating System.

Angular hand tool particularly recommended to place inserts from M5 to M8 (on request it can also assemble M3 and M4 tie rods).

RIV 902 can easily be used in uncomfortable situations (corners), thanks to its extremely handy shape.

It is supplied with tie rods and heads for M5-M6-M8 Rivserts.

Applications:



**Weight: 1.3 kg.**

- A)** Screw the insert rotating the back knob.
- B)** Stroke adjusting screw.
- C)** Tie rod and head.



## Spare parts for Rivsert

Insert	Tie rod code	Head code
M3*	03278	03285
M4*	03279	03286
M5	03280	03287
M6	03281	03288
M8	03282	03289

\* Not included in the standard supply.  
To be ordered separately.



## Spare parts for Rivbolt

Insert	Tie rod code	Head code
M4*	25609	25612
M5*	25610	25613
M6*	25611	25614
M8*	25832	27005

\* Not included in the standard supply.  
To be ordered separately.